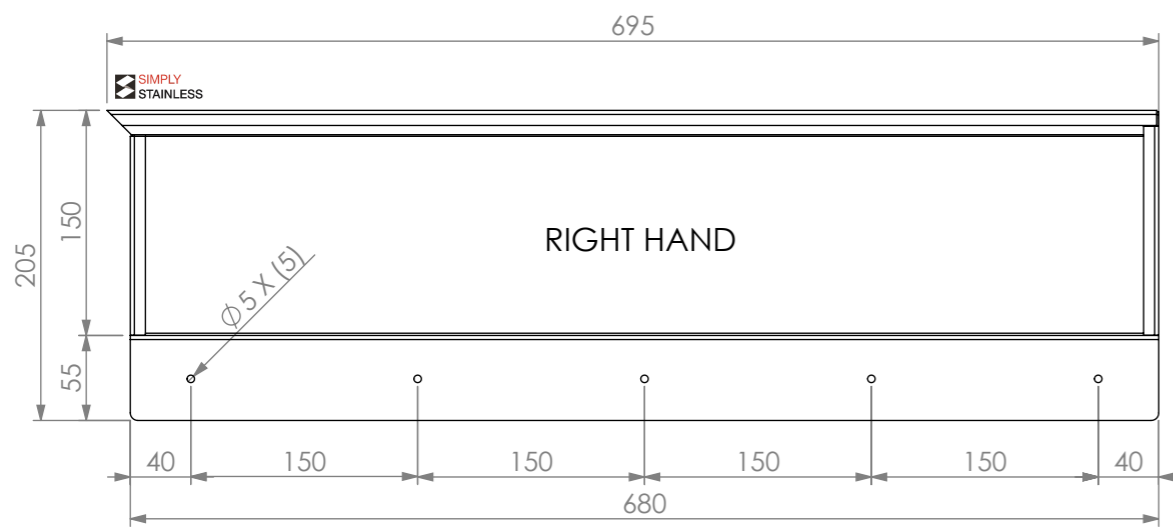
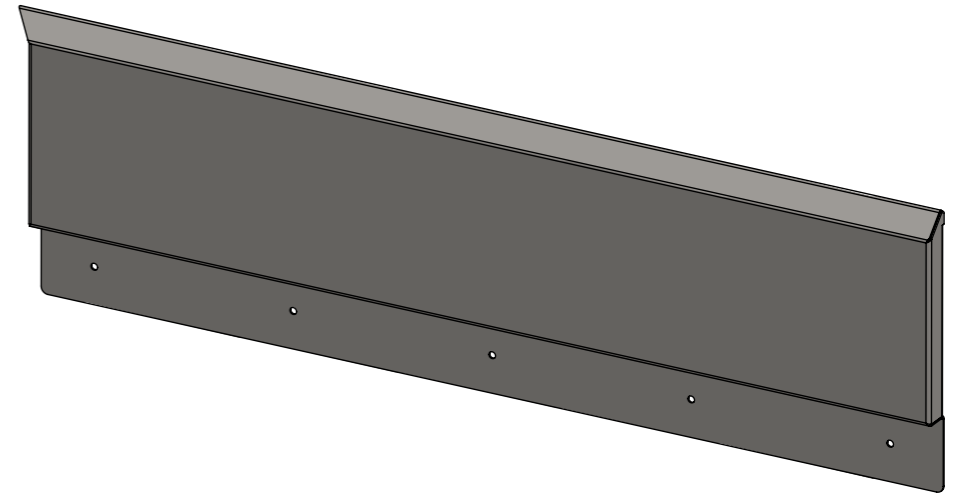


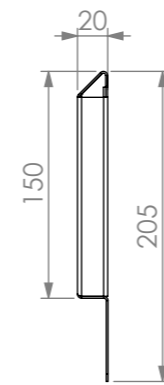
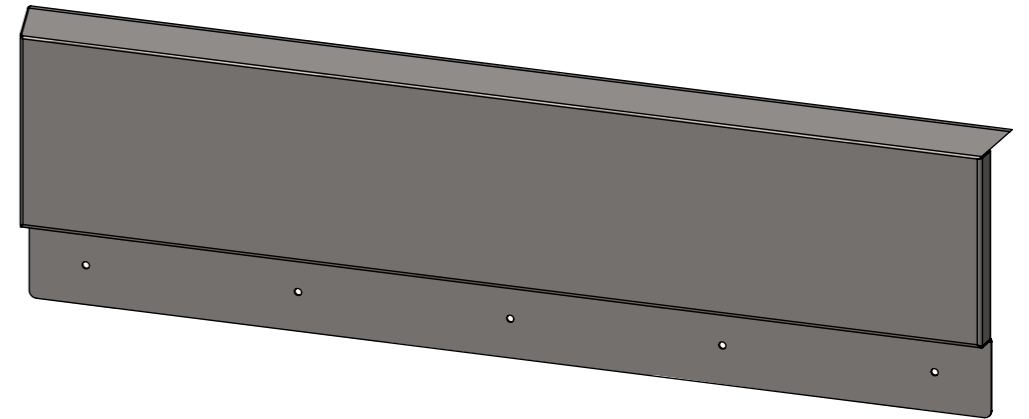
PLAN

RIGHT HAND

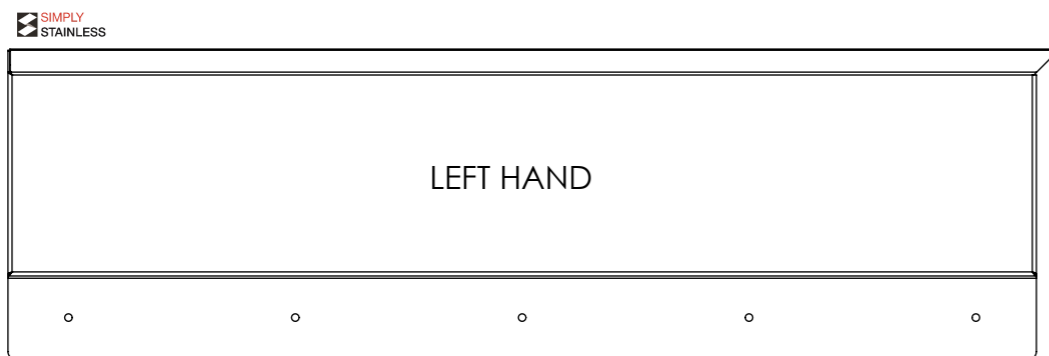


RIGHT HAND

LEFT HAND



SIDE ELEVATION



LEFT HAND

FRONT ELEVATION



Modular Sinks, Tables & Shelving

COPYRIGHT © 2022

This drawing is the property of CI GROUP PTY LTD. Tradings as SIMPLY STAINLESS and it may not be copied, reproduced or modified in whole or in part without prior written permission of CI GROUP PTY LTD. SIMPLY STAINLESS reserves the right to change specification and design without notice.

END UPSTAND FOR 700 SERIES

SIZE: A3

SCALE : 1:5

CONSTRUCTION NOTES :

1. UPSTAND MADE FROM 1.2mm STAINLESS STEEL.